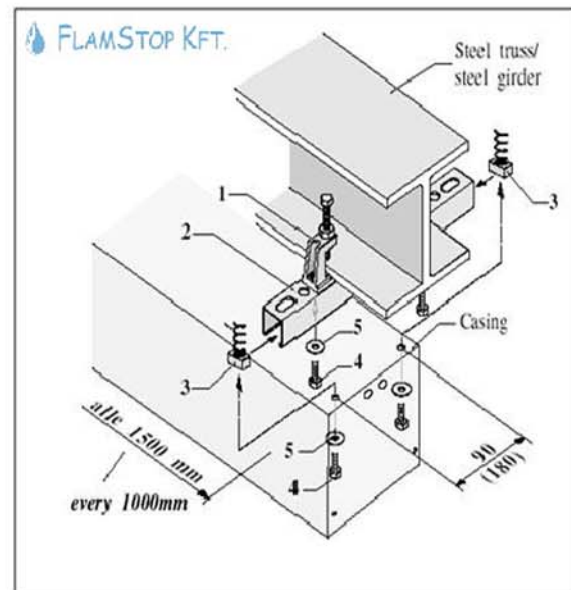
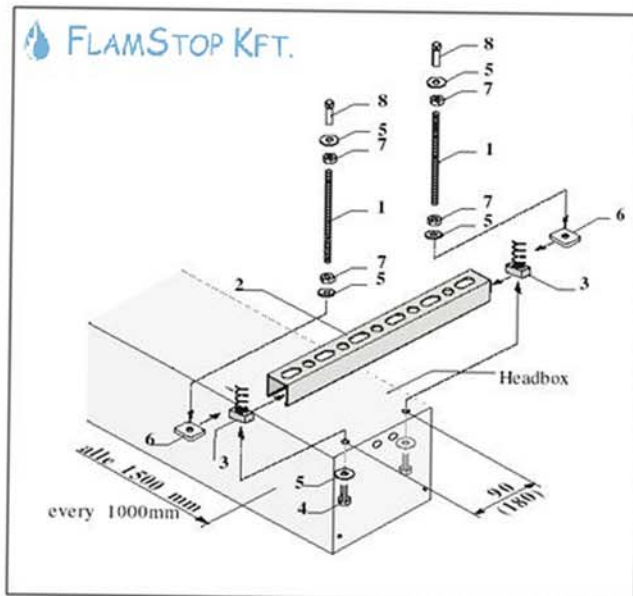
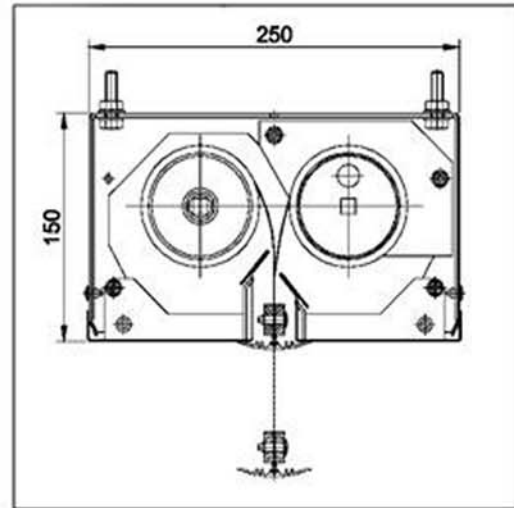
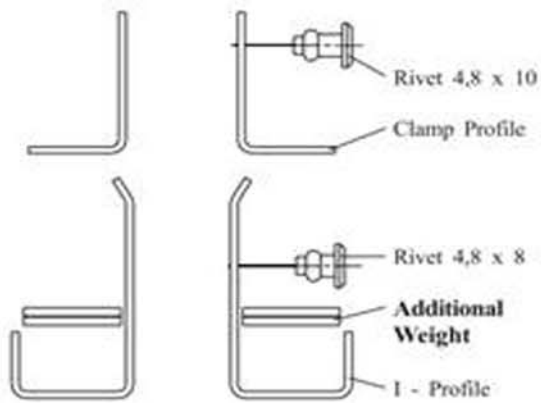


## DH housing type

### Additional Weight I - Profile



## 4.8 Weight

The weight of a curtain depends upon the type selected, its size and depth of the curtain.

Table: Weight of curtains per linear metre, (rounded up).

	Drop (m)							
	1	2	3	4	5	6	7	8
	kg / m	kg / m	kg / m	kg / m	kg / m	kg / m	kg / m	kg / m
SI-N	14,50	15,00	15,50	16,00	16,50	17,00	17,50	17,50
SI-L	15,20	15,70	16,20	16,70	17,20	17,70	18,20	18,20
DH-N / DV-N	18,50	19,00	19,50	20,00	20,50	21,00	21,50	21,50
DH-L / DV-L	20,30	20,80	21,30	21,80	22,30	22,80	23,30	23,30